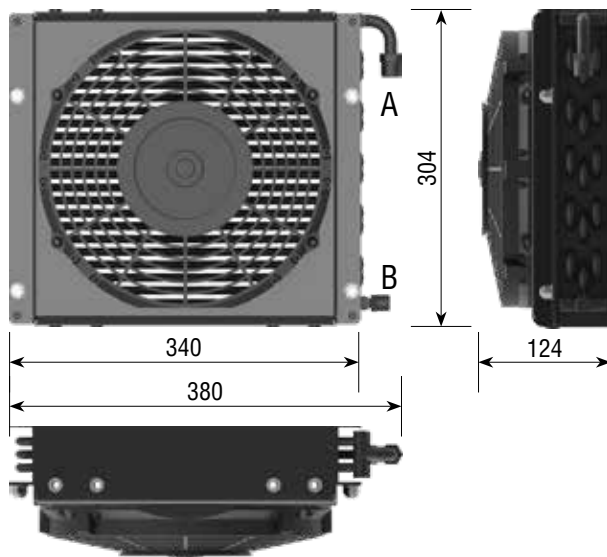


# COSP

Serpentine condenser with fans to mount horizontal or vertical  
Condensatore a serpentina da montare in verticale o orizzontale



A - 3/4"-16 UNF / 2A O-Ring

B - 5/8"-18 UNF / 2A O-Ring

**COSP** Roof top and under chassis condenser / Condensatori a tetto e sottoscocca

## Condenser / Condensatore

Part. Codice	Voltage Voltaggio	Ampere Amperaggio	Dissipable Thermal Power Potenza termica dissipabile	Fin Pitch Passo alette	Air m <sup>3</sup> /h Aria m <sup>3</sup> /h	Weight Peso	Case Rivestimento
A00205ES	12 V	8.7 A	2500 kcal/h	2.5 mm	1360		Painted sheet metal
A00206ES	24 V	5 A	2500 kcal/h	2.5 mm	1360		Painted sheet metal